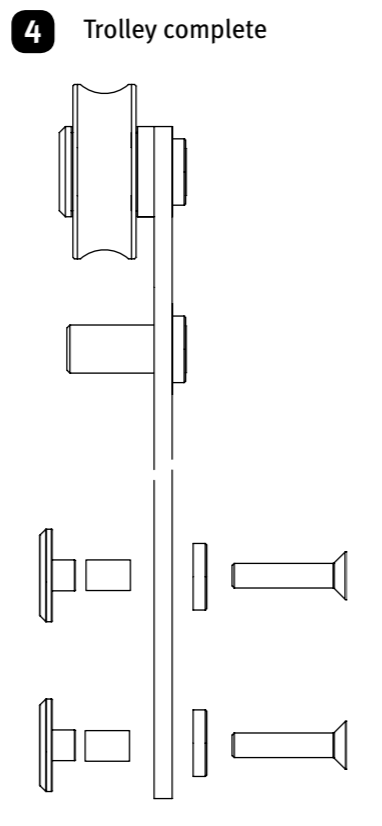
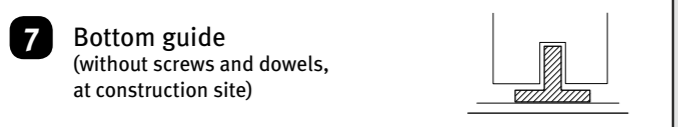
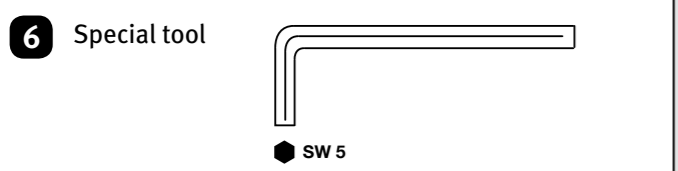
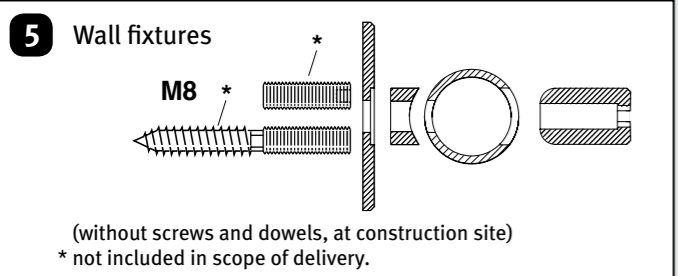
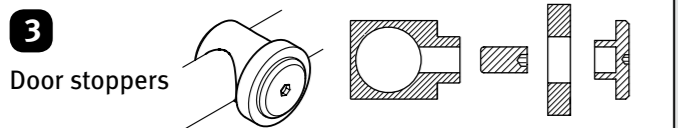
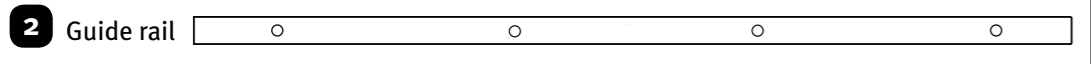


**1** Set sliding door fittings **Project**

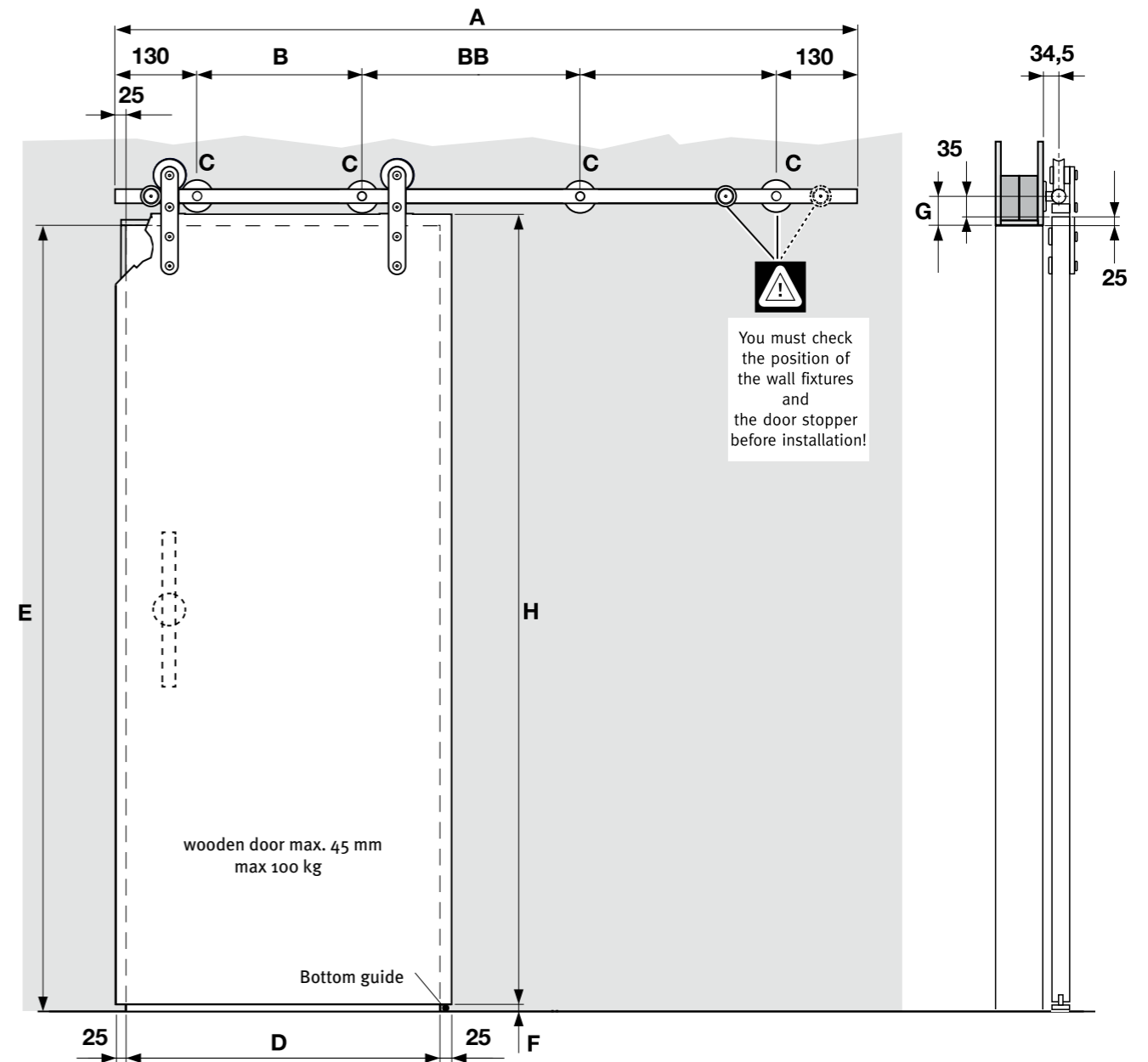


- Attention
- Screw on
- Screw on
- Screw on
- Loosen/Tighten
- Install
- At right angle
- Drill
- Dowels
- Adjust Set
- Level
- Perpendicular
- Measure Mark
- Visual inspection
- Special-tool
- 2 people required
- Measure
- Clarify questions
- See Instructions
- Secure

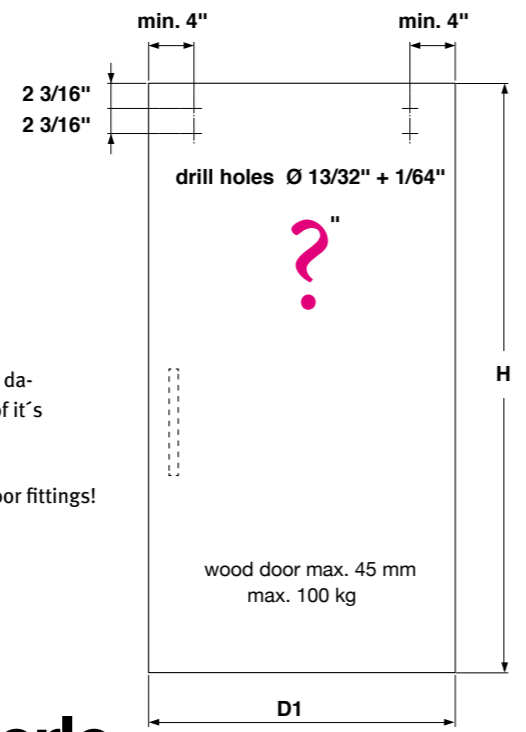
# Installation instructions

## Sliding door fittings Project

for wooden doors ( max. 45 mm thickness )



Set Project	Set /Each					
<b>1</b> Art. No.	<b>2</b>	<b>3</b>	<b>4</b>	<b>5</b>	<b>6</b>	<b>7</b>
USO98-1800EF	1	2	2	4	1	1
USO98-2100EF	1	2	2	4	1	1
USO98-2300EF	1	2	2	5	1	1
USO98-2540EF	1	2	2	5	1	1



ABP-Beyerle it's subsidiaries and agents are not responsible or liable for damage or injury to any persons or property due to improper installation of it's products. All liabilities reside solely with the installer.

Comply with all general safety regulations when installing the sliding door fittings! Installation to be completed by qualified licensed contractor.

Be sure to tighten all screw connections one week after starting to use the sliding door fittings!

**Never** use scouring agents to clean the sliding door fittings; rather use commercially available stainless-steel cleaners!



ABP-Beyerle GmbH

Im Schollengarten 24 b, D - 76646 Bruchsal (Germany)

Tel. + 49 - (0) 7257 / 9127 - 0, Fax + 49 - (0) 7257 / 9127 - 29, Email info@abp-beyerle.de, www.abp-beyerle.de

### Complete-sets

Set Project Artikel-No.	A mm	B mm	C Each	D mm	E mm	F mm	G mm	H max. mm (H=E-F+25)
USO98-1800EF	1800	513	4	750 - 900	2500	7 - 10	60	2518
USO98-2100EF	2100	613	4	910 - 1000	2500	7 - 10	60	2518
USO98-2300EF	2300	510	5	1010 - 1120	2500	7 - 10	60	2518
USO98-2540EF	2540	570	5	1130 - 1250	2500	7 - 10	60	2518

Right to make technical changes reserved - Dimensions in mm - Version 03-2016  
© by ABP-Beyerle GmbH



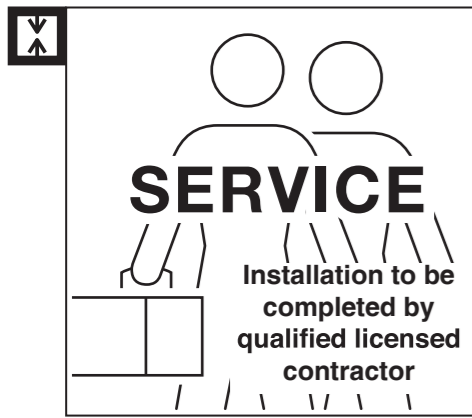


Fig. 1

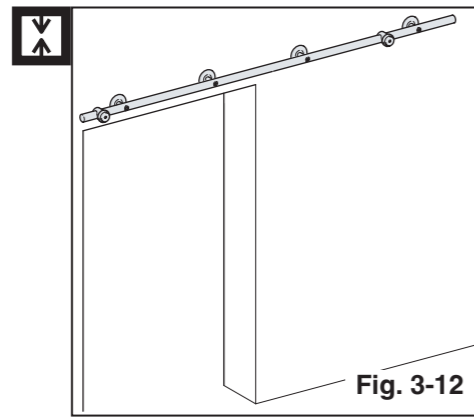


Fig. 3

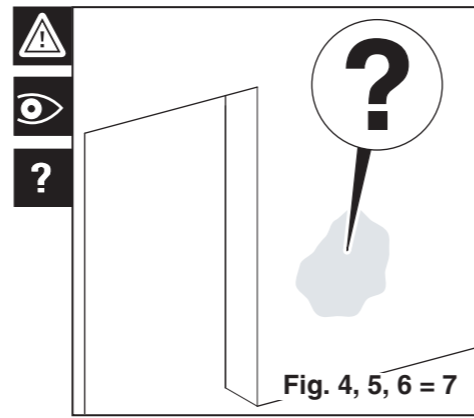


Fig. 3

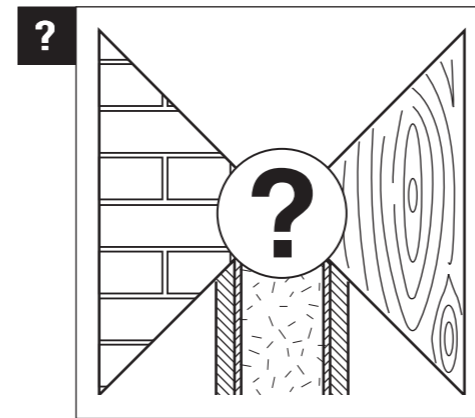


Fig. 4

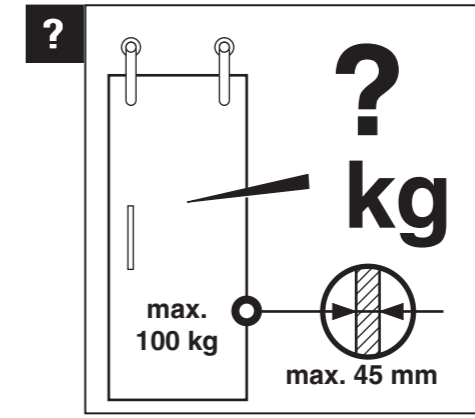


Fig. 5

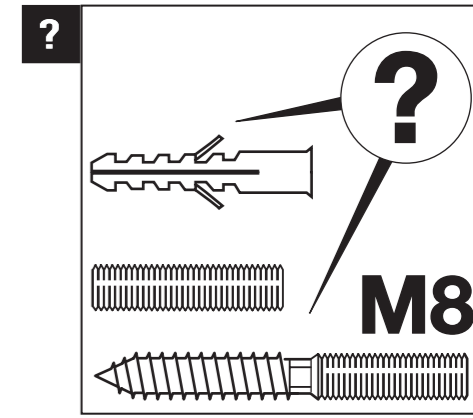


Fig. 6

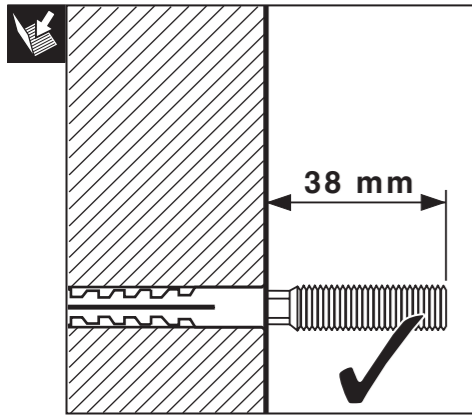


Fig. 7

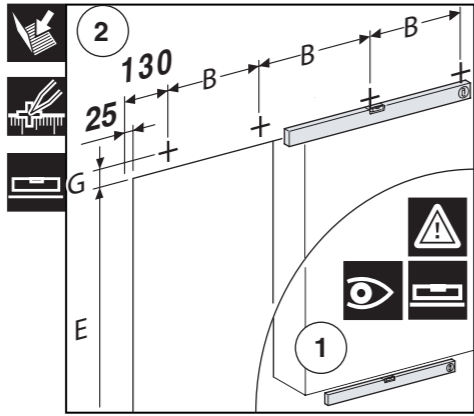


Fig. 8

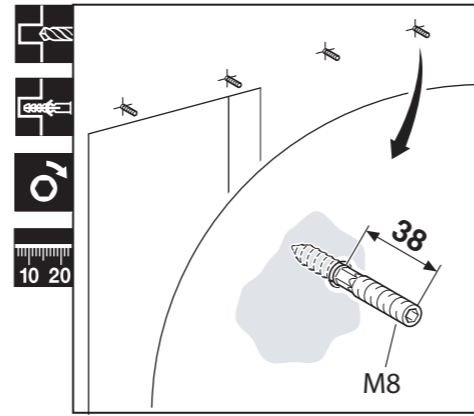


Fig. 9

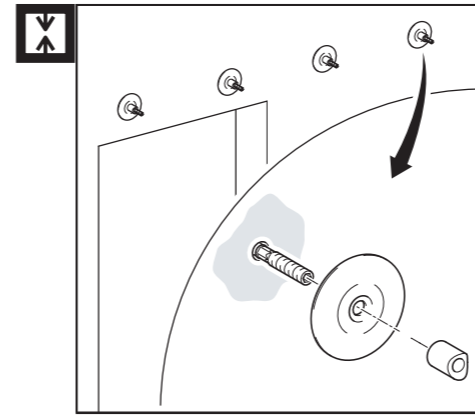


Fig. 10

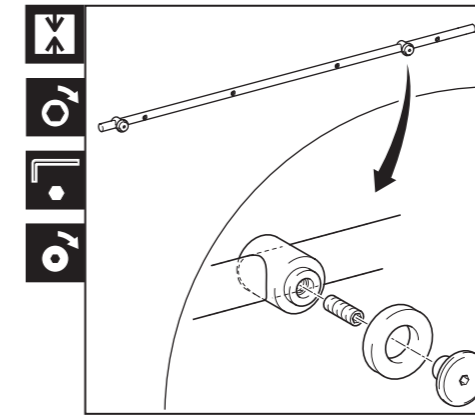


Fig. 11

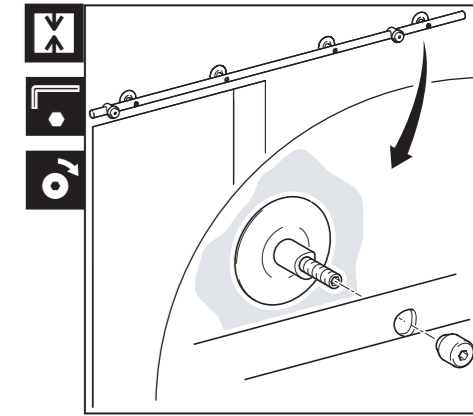


Fig. 12

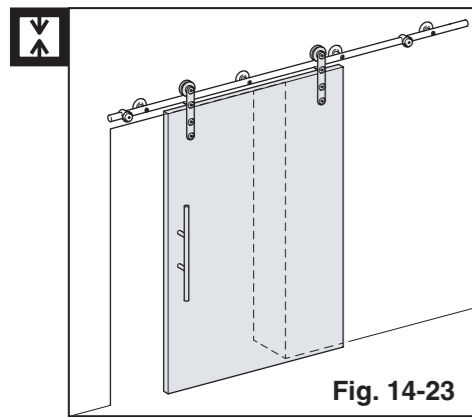


Fig. 13

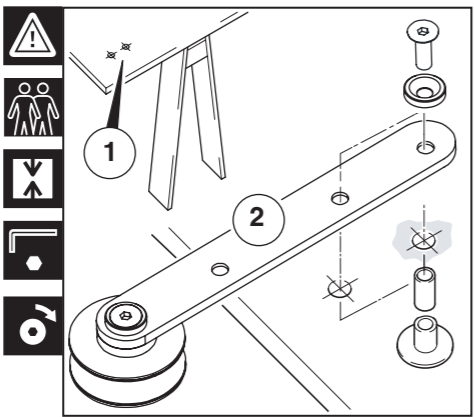


Fig. 14

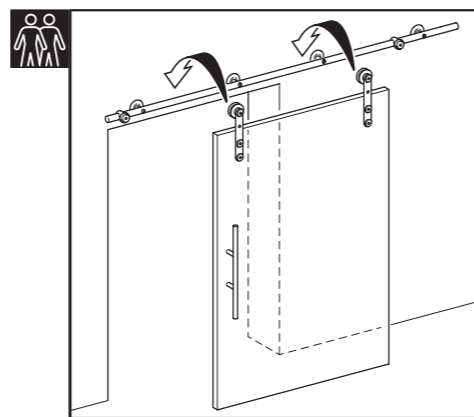


Fig. 15

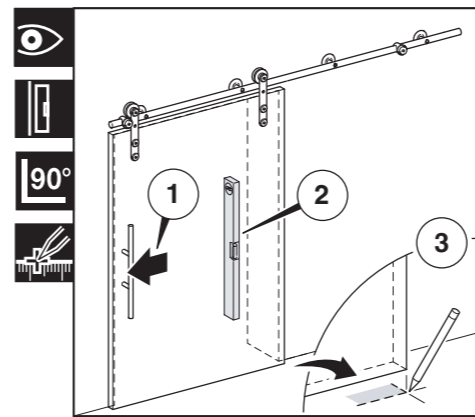


Fig. 16

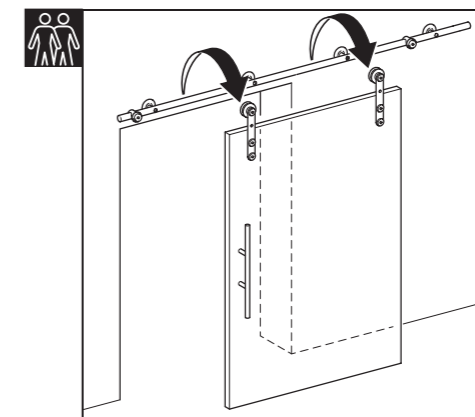


Fig. 17

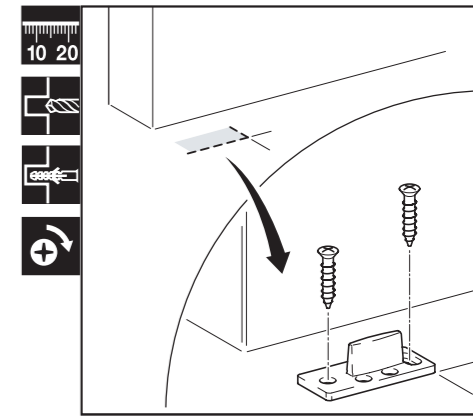


Fig. 18

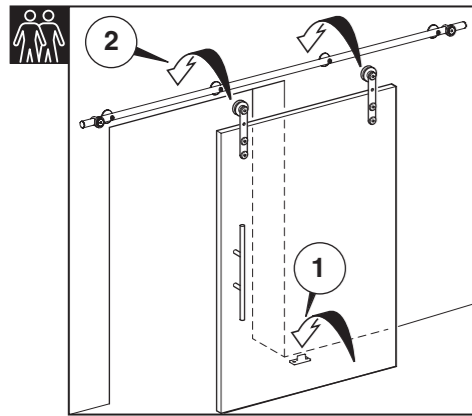


Fig. 19

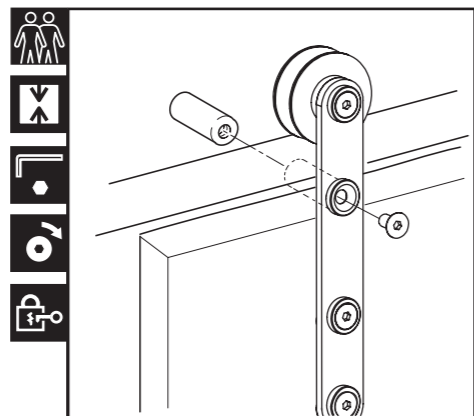


Fig. 20

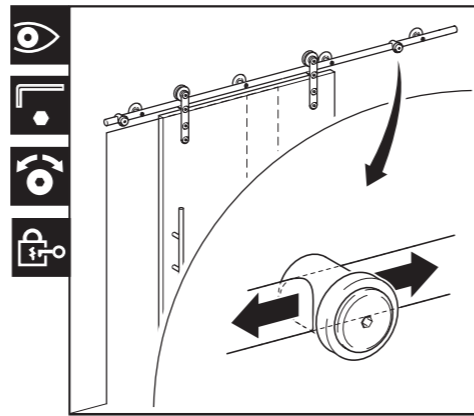


Fig. 21

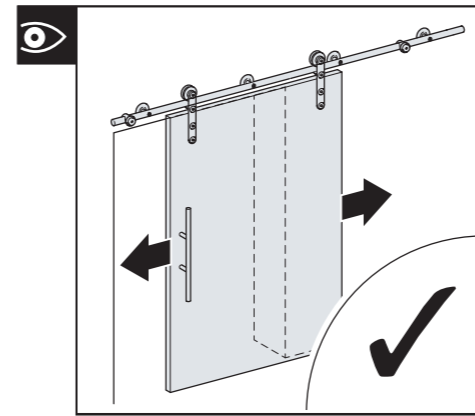


Fig. 22